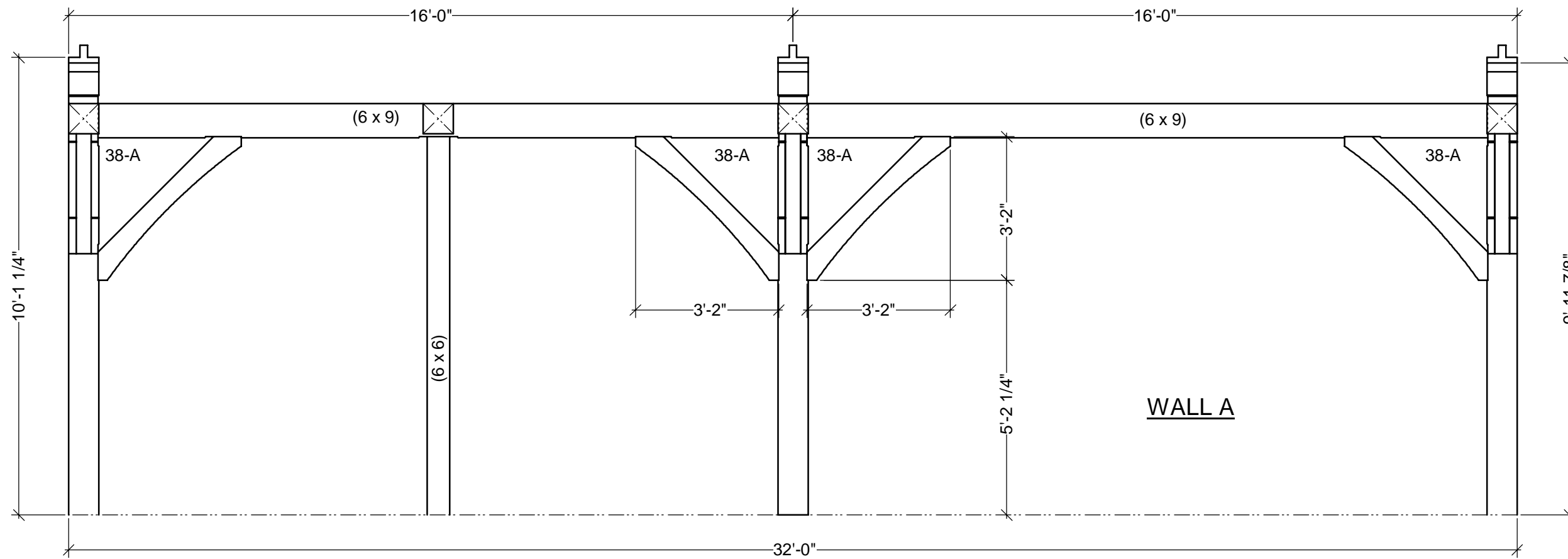
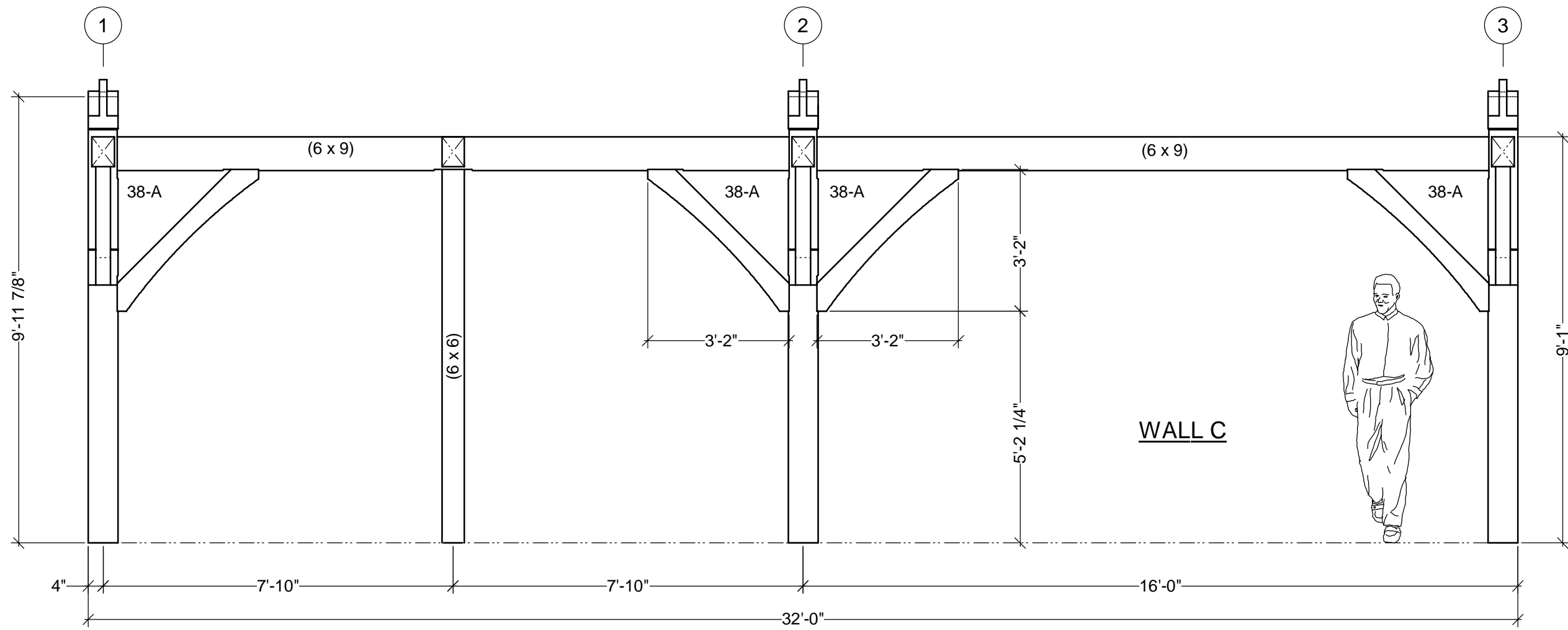
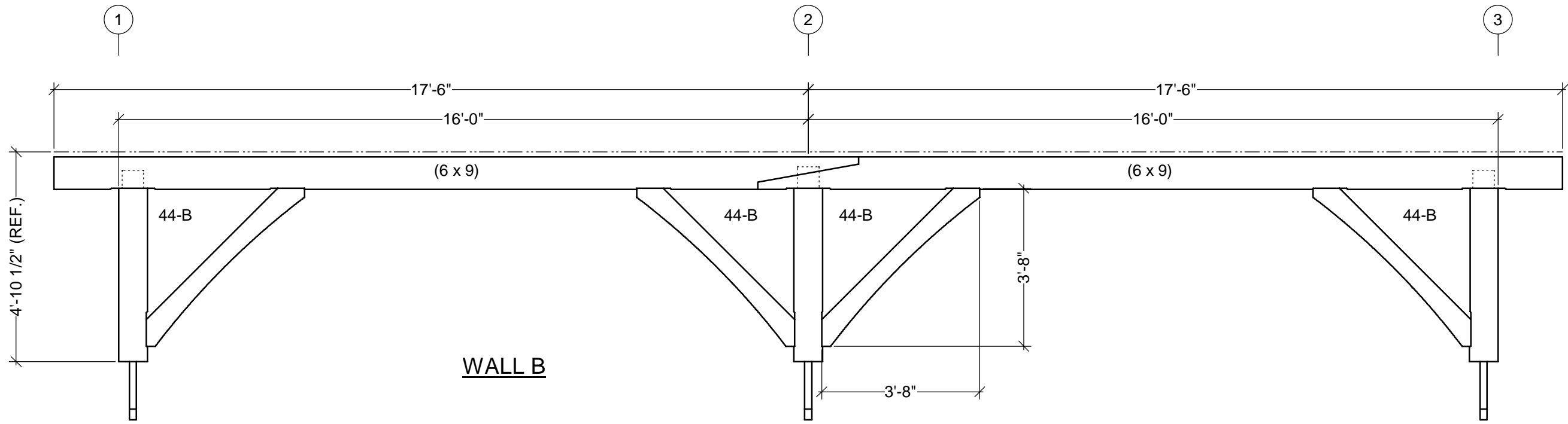
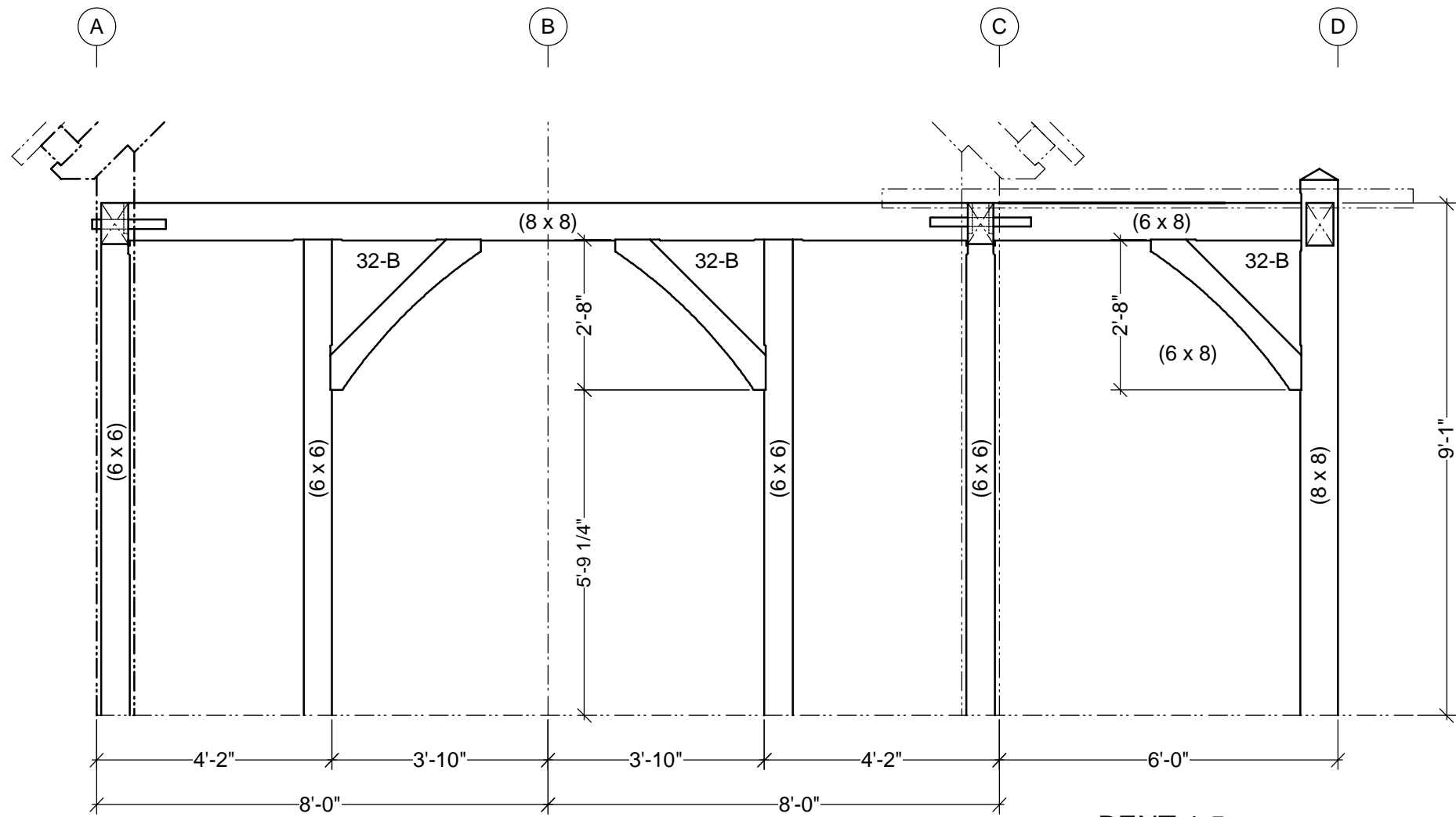


**BENTS 2 & 3**

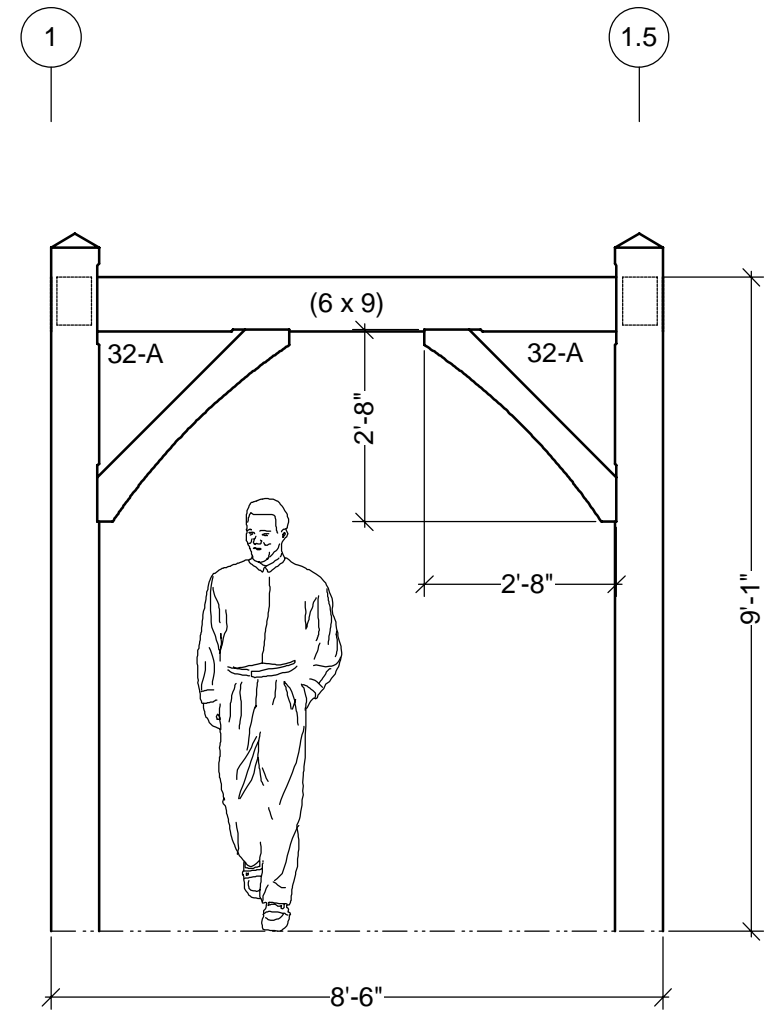




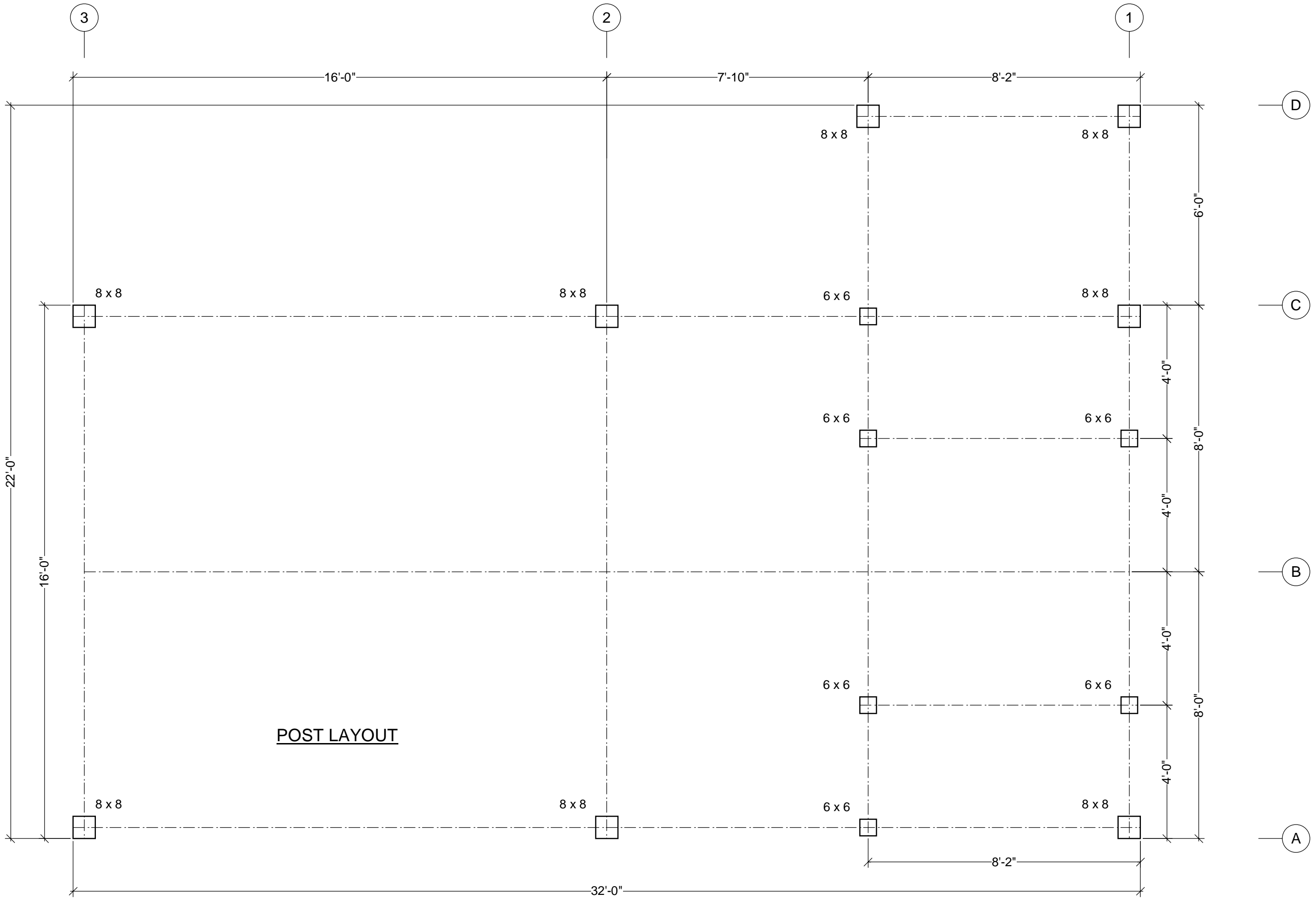
**WALL B**



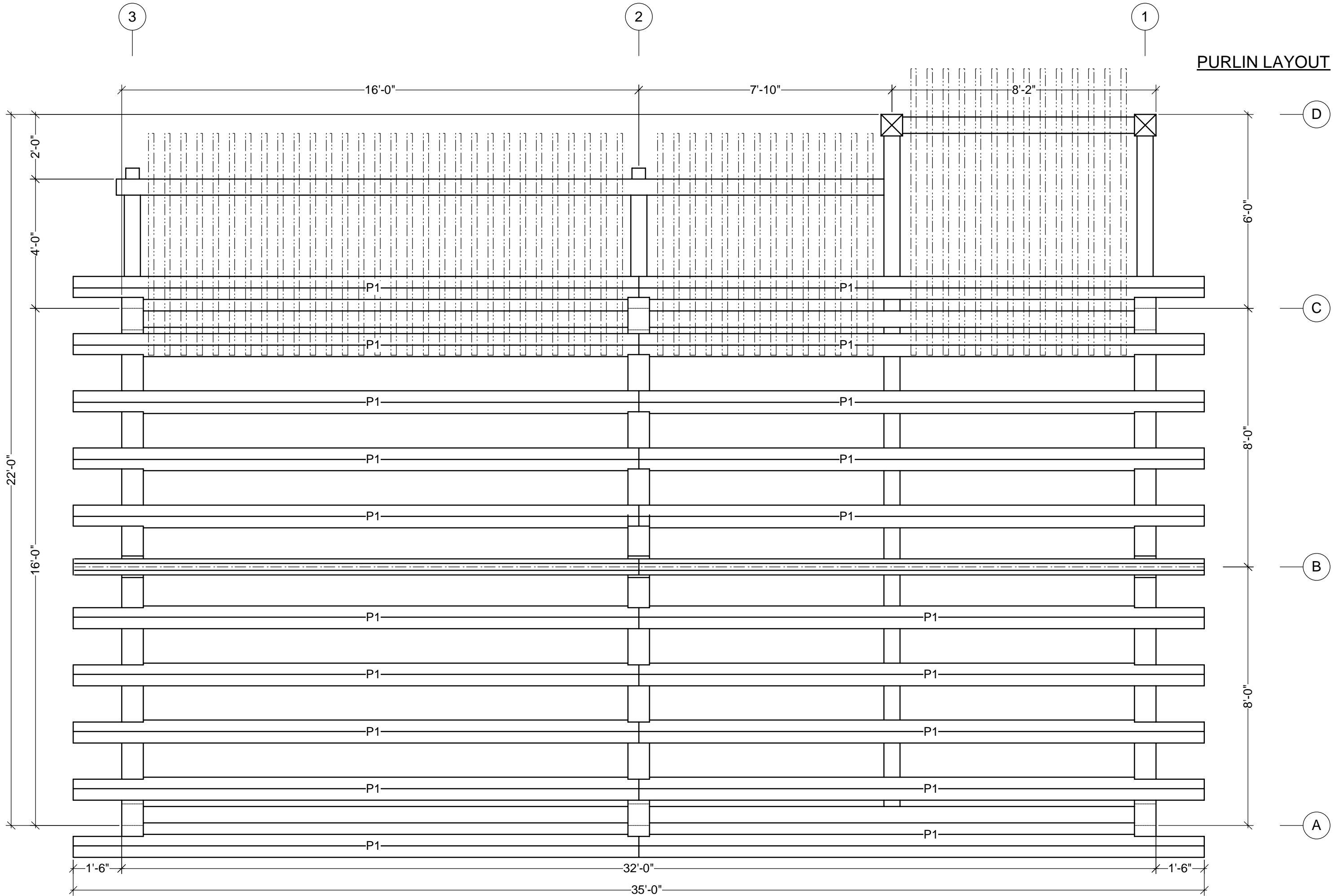
**BENT 1.5**



**WALL D**



**AMAZON TIMBERFRAMES**



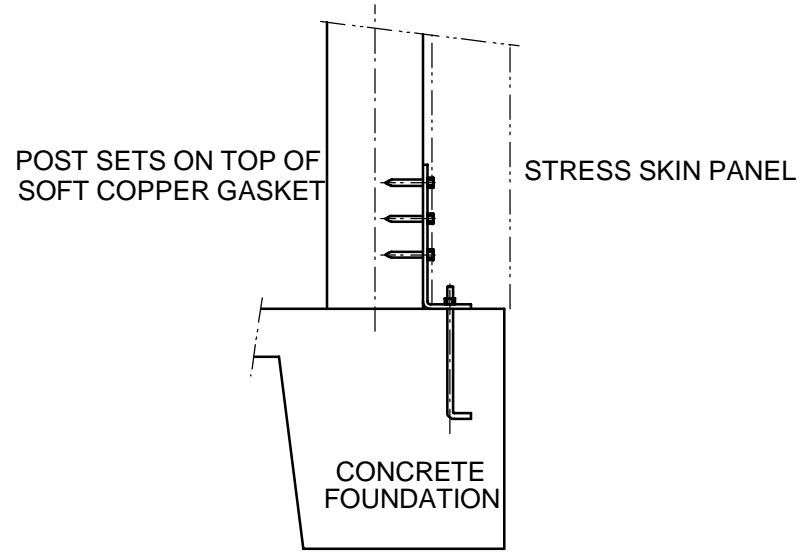
**PURLIN LAYOUT**

TIMBERFRAME POOL CABANA  
MORGAN RES.

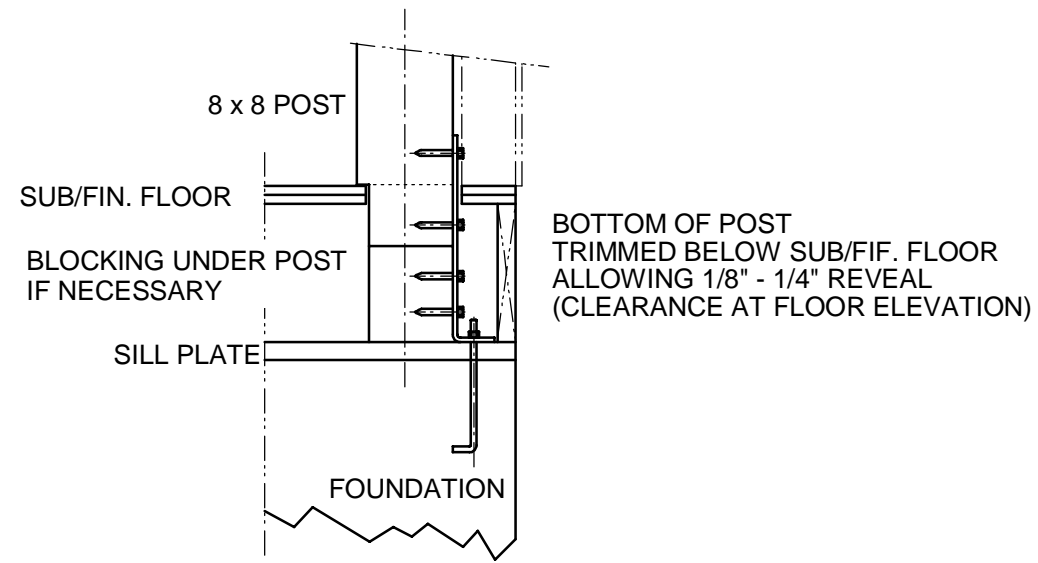
**AMAZON TIMBERFRAMES**

BRUCE 09/15/05

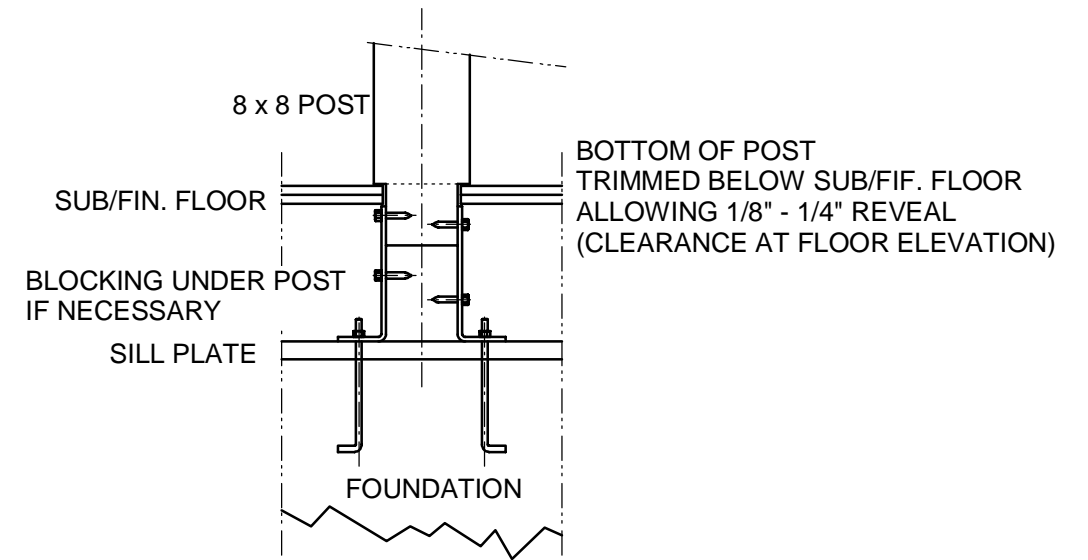
L.6



RECOMMENDED POST TO FOUNDATION  
FOR INTERIOR LOCATIONS AT OUTSIDE POSTS

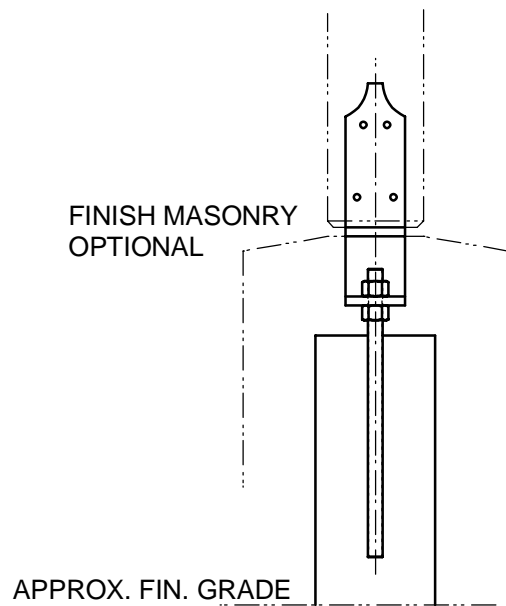
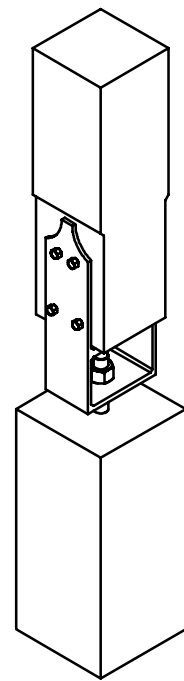


RECOMMENDED  
POST TO FOUNDATION  
FOR EXTERIOR LOCATIONS

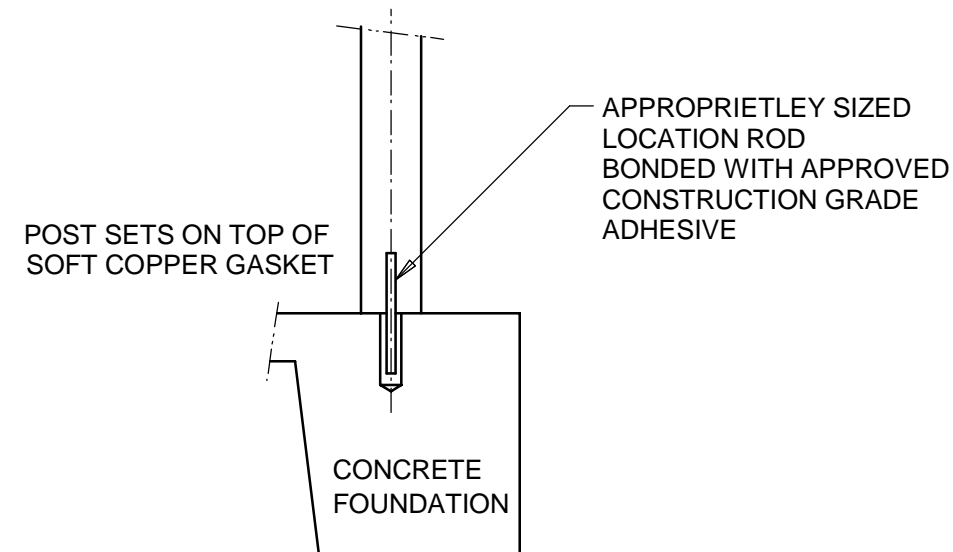


RECOMMENDED  
POST TO FOUNDATION  
FOR INTERIOR LOCATIONS

THIS SHEET IS FOR REFERENCE ONLY



RECOMMENDED POST TO PIER  
MOSTLY FOR EXTERIOR LOCATIONS



RECOMMENDED POST TO FOUNDATION  
FOR INTERMEDIATE OR MINOR POSTS

RECOMMENDED POST TO  
FOUNDATION ATTACHMENT

AMAZON TIMBERFRAMES

BRUCE 09/08/05

R.1